

**NOTE:**

-THIS SYSTEM WILL MEET THE REQUIREMENTS OF THE NATIONAL ELECTRIC CODE AND APPLICABLE BUILDING CODE.

**NOTE:**

-PV MODULE CHARACTERISTICS (REFER TO THE DATA SHEET):  
 $P_p = 205 \text{ W}$ ,  $V_p = 40 \text{ V}$ ,  $I_p = 5.13 \text{ A}$   
 $V_{oc} = 47.8 \text{ V}$ ,  $I_{sc} = 5.53 \text{ A}$

-PV SOURCE/OUTPUT CIRCUIT CHARACTERISTICS:  
 $P_p = 1,435 \text{ W}$ ,  $V_p = 240 \text{ V}$ ,  $I_p = 5.13 \text{ A}$   
 $V_{oc} (1,25) = 418.25 \text{ V}$   
 $I_{sc} (1,25) = 8.63 \text{ A}$

-PV ARRAY CHARACTERISTICS:  
 $P_p = 2,870 \text{ W}$ ,  $V_p = 240 \text{ V}$ ,  $I_p = 10.26 \text{ A}$   
 $V_{oc} (1,25) = 418.25 \text{ V}$   
 $I_{sc} (1,25)(1,25) = 17.26 \text{ A}$

-INVERTER OUTPUT CIRCUIT CHARACTERISTICS:  
 $P_p\text{-max} = 2,736 \text{ W}$   
 $V_p\text{-nominal} = 240 \text{ V}$   
 $I_p\text{-max} (1,25) = 17.25 \text{ A}$

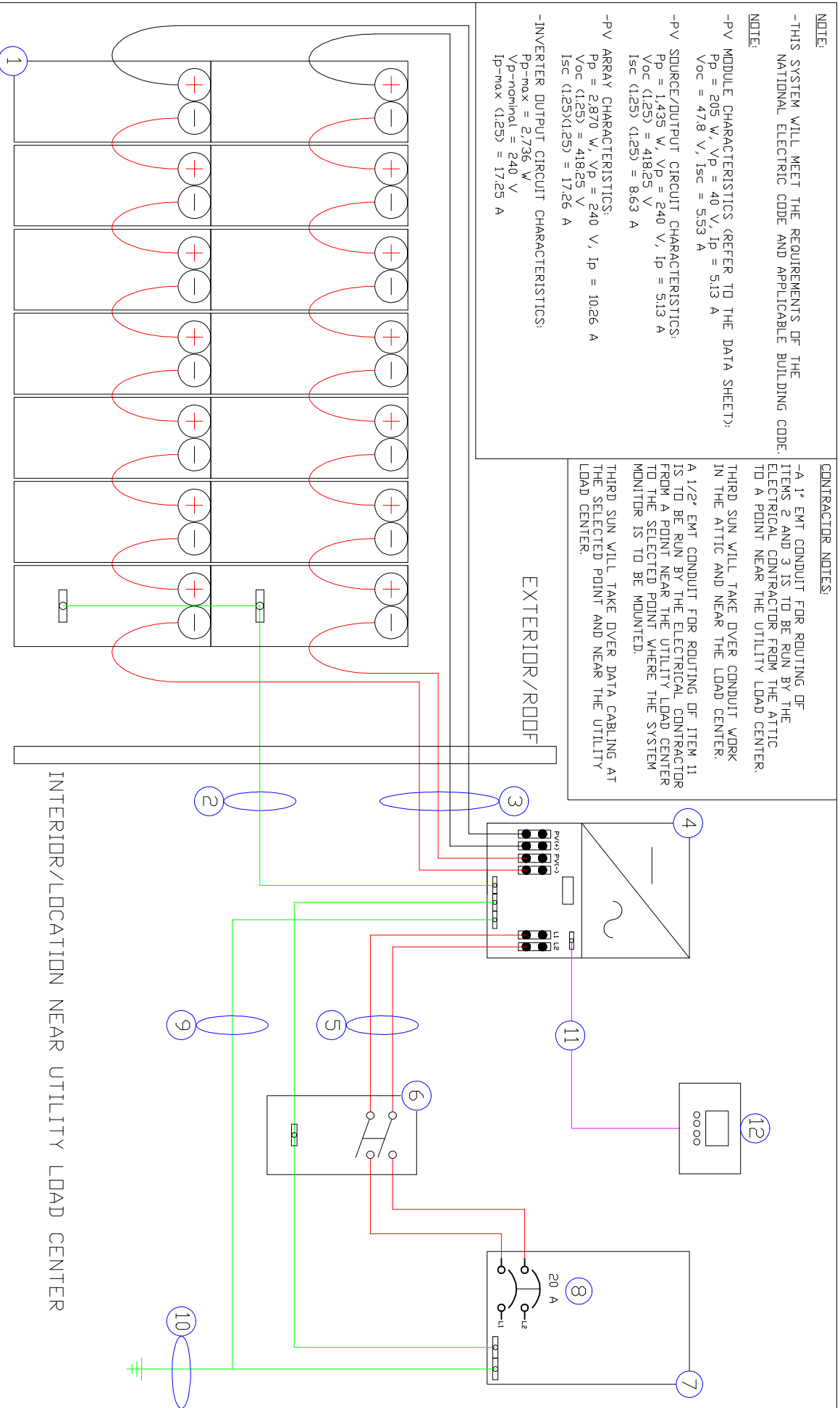
**CONTRACTOR NOTES:**

-A 1" EMT CONDUIT FOR ROUTING OF ITEMS 2 AND 3 IS TO BE RUN BY THE ELECTRICAL CONTRACTOR FROM THE ATTIC TO A POINT NEAR THE UTILITY LOAD CENTER.

-THIRD SUN WILL TAKE OVER CONDUIT WORK IN THE ATTIC AND NEAR THE LOAD CENTER.

-A 1/2" EMT CONDUIT FOR ROUTING OF ITEM 11 IS TO BE RUN BY THE ELECTRICAL CONTRACTOR FROM A POINT NEAR THE UTILITY LOAD CENTER TO THE SELECTED POINT WHERE THE SYSTEM MONITOR IS TO BE MOUNTED.

-THIRD SUN WILL TAKE OVER DATA CABLING AT THE SELECTED POINT AND NEAR THE UTILITY LOAD CENTER.



#	ITEM	QUANTITY	DIMENSIONS	DESCRIPTION
1	SOLAR MODULE	14	61.39" L x 31.42" W x 1.81" H	SUNPOVER SPR-205 MODULE
2	EQUIPMENT GROUNDING CONDUCTOR	1	UNKNOWN LENGTH	10 AWG, CU, SOLID, BARE USE UNIFAC GROUND CLIPS, INTERIOR PATH UNKNOWN
3	PV SOURCE/OUTPUT CIRCUIT CONDUCTOR	4	UNKNOWN LENGTH	10 AWG, CU, XLP-2, FREE AIR AND 1" EMT, INTERIOR PATH UNKNOWN
4	DC TO AC INVERTER	1	15.9" L x 5.7" W x 28.5" H	SUNPOVER SPR-3300X
5	INVERTER OUTPUT CONDUCTOR	2	10' L MAXIMUM	10 AWG, CU, THHN, IN EMT
6	AC UTILITY REQUIRED DISCONNECT	1	-	UTILITY REQUIRED LOCKABLE EXTERIOR DISCONNECT NEAR METER
7	UTILITY PANEL	1	EXISTING (UNKNOWN)	POINT OF INTERCONNECTION, EXISTING UTILITY PANEL
8	CIRCUIT BREAKER	1	-	20 A, 2-POLE
9	GROUNDING ELECTRODE CONDUCTOR	1	10' L MAXIMUM	8 AWG, CU, SOLID, BARE, CONTINUOUS
10	GROUNDING ELECTRODE	1	-	HOMES EXISTING AC GROUNDING ELECTRODE SYSTEM
11	DATA CABLE	1	UNKNOWN LENGTH	CAT 5 DATA CABLE IN 1/2" EMT, INTERIOR PATH UNKNOWN
12	SYSTEM MONITOR	1	-	SPKX SYSTEM MONITOR

REV. DATE INIT. DESCRIPTION

C			
B			
A	05-22-07	RPH	DRAWING CREATED

TITLE: CHAPMAN ELECTRICAL DRAWING

BY: RANDY HATCH SCALE: NTS NOTE: SUBJECT TO CHANGE

**Thirdsun** SOLAR & WIND POWER

340 W STATE ST #25  
 ATHENS, OH 45701  
 740.597-3111  
 INFO@THIRD-SUN.COM